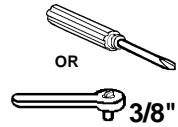
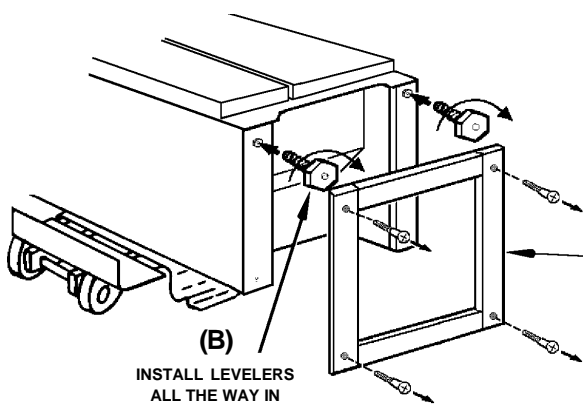


1 LEVELERS

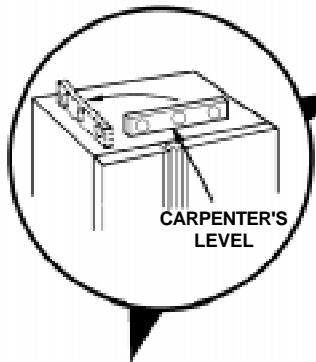


(A)
REMOVE CRATE BASE
SCREWS & DISCARD.
CRATE
BASE

(B)
INSTALL LEVELERS
ALL THE WAY IN

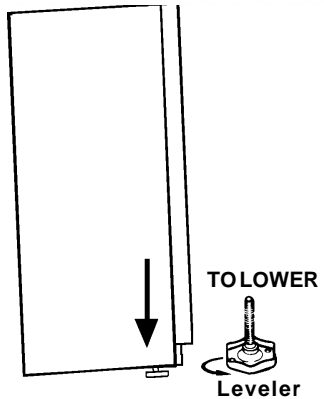
NOTE: TO REMOVE DOORS, SEE OTHER SIDE.

3 REFRIGERATOR LEVELING

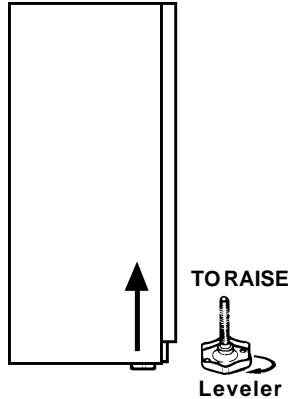


MOVE THE REFRIGERATOR TO ITS INSIDE LOCATION.

- (1) Level the cabinet. Open and close the doors. Re-level the cabinet.
- (2) If the cabinet rolls, extend the levelers.
- (3) If the doors do not close easily, raise the front of the cabinet.
- (4) Plywood shims may be used to provide a level base.

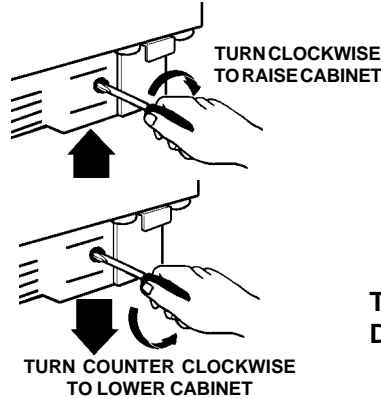


TO LOWER
Leveler



TO RAISE
Leveler

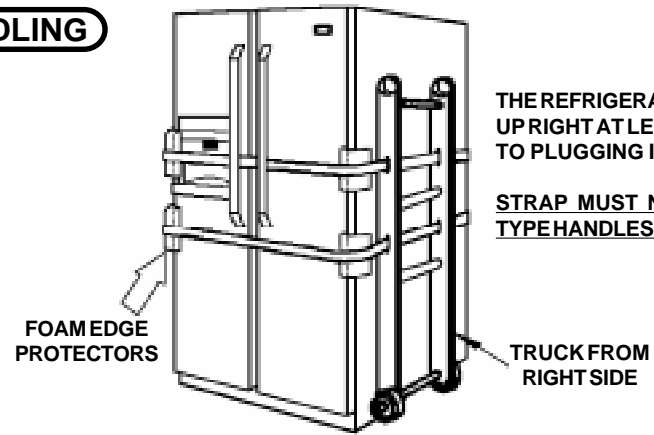
WHEEL ADJUSTMENTS



TURN CLOCKWISE
TO RAISE CABINET

TURN COUNTER CLOCKWISE
TO LOWER CABINET

2 HANDLING



THE REFRIGERATOR SHOULD REMAIN UP RIGHT AT LEAST 30 MINUTES PRIOR TO PLUGGING IT IN.

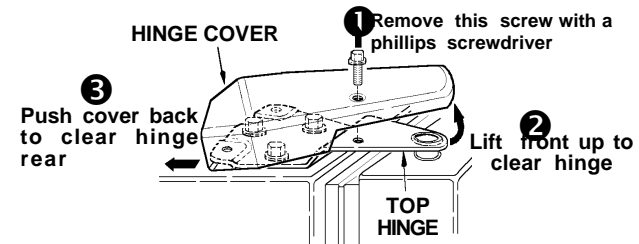
STRAP MUST NOT PASS OVER BAIL TYPE HANDLES.

FOAM EDGE PROTECTORS

TRUCK FROM RIGHT SIDE

4 DOOR ADJUSTMENT (IF NEEDED)

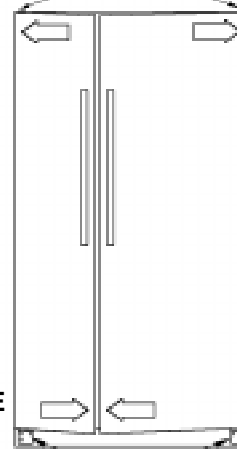
REMOVING THE HINGE COVERS IF EQUIPPED



(Reverse procedure when reattaching covers)

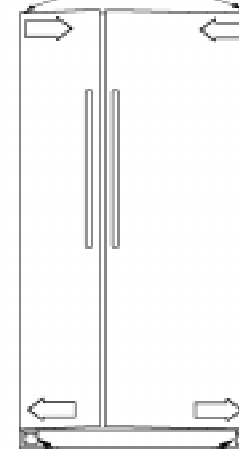
Loosen top hinge screws

Loosen top hinge screws



TO RAISE
DOOR(S)

Loosen bottom screws.
Slide door(s) INWARD.



TO LOWER
DOOR(S)

Loosen bottom screws.
Slide door(s) OUTWARD.

When hinge screws are installed, tighten them until they are just snug. Then turn another 1/4 turn.

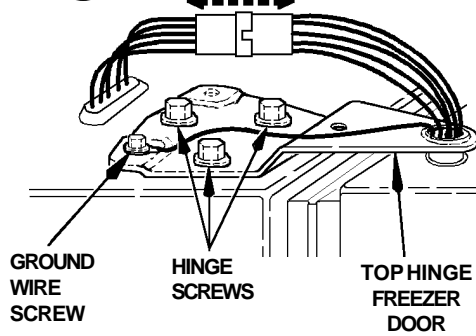
Remove the bottom hinge covers by squeezing bottom and top and pulling them toward you.



NOTE: **DO NOT PULL ON WIRES**

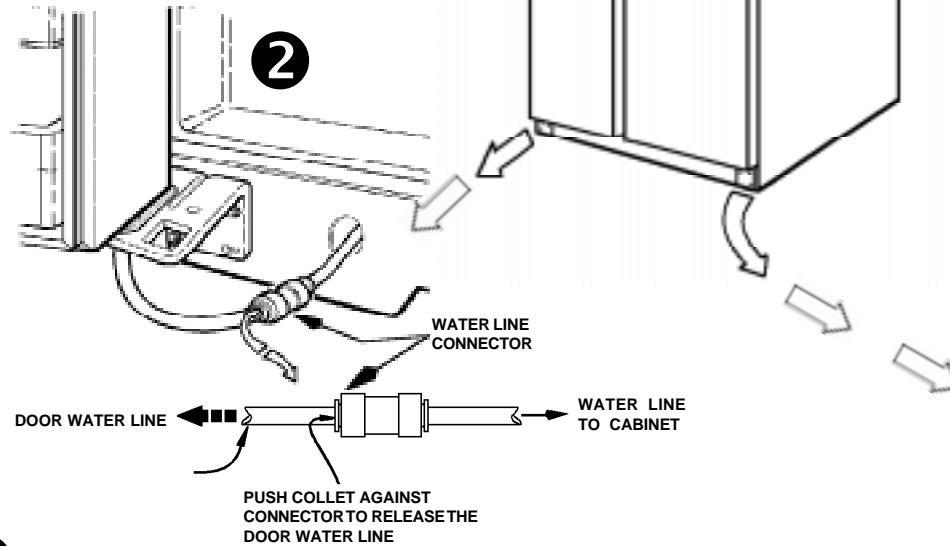
1

PULL APART



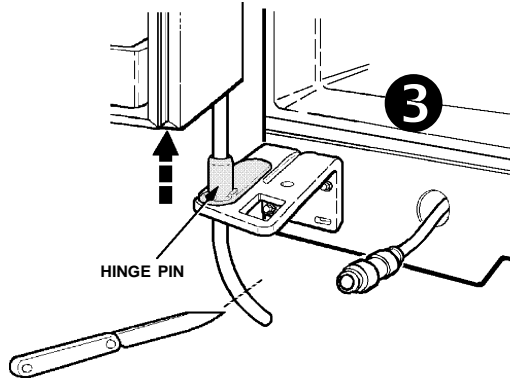
DOOR REMOVAL (If required)

2



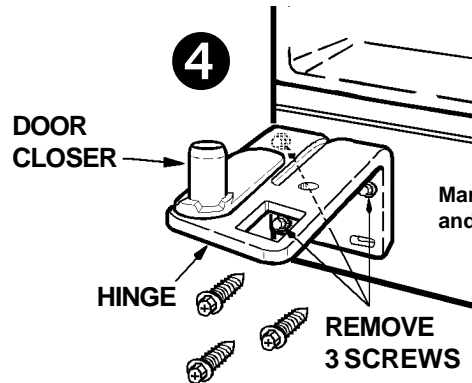
Lift the door up enough to allow another adult to guide the water line through the door hinge pin. Rest door on a non-scratching surface.

3

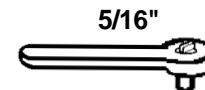


WHEN RECONNECTING THE WATER LINE, STRAIGHT CUT 1" OFF THE TUBING BEFORE REINSTALLING. Insert the tube into the connector until it is seated. This will insure a good seal and will prevent possible damage due to water leaks.

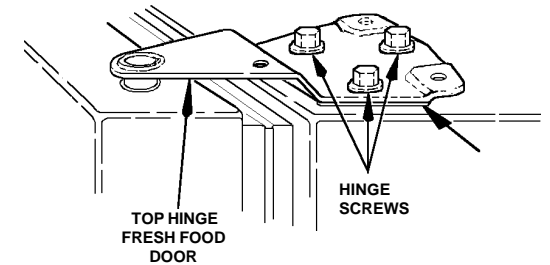
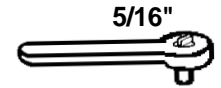
4



Mark the location of the bottom hinges with a lead pencil. Use a 5/16" socket and ratchet to remove the 3 screws from the bottom hinge.



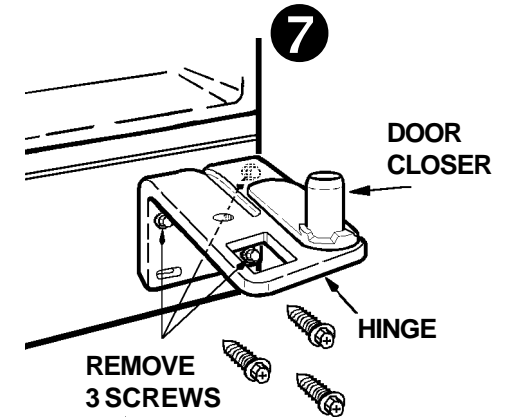
5



6

Lift the door up to remove. Rest door on a non-scratching surface.

7



REPLACE DOORS IN REVERSE ORDER OF THEIR REMOVAL. 110842-2